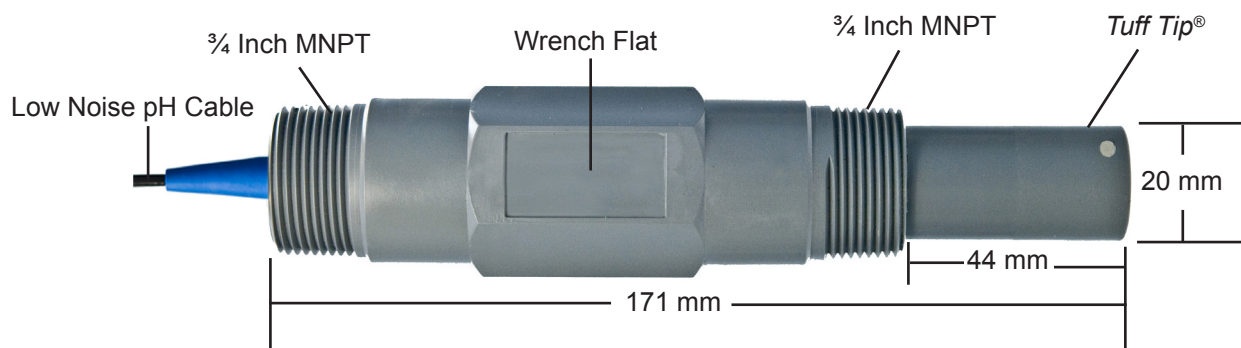


# MODEL P822 ELECTRODE pH AND ORP

7/09



6103 GLENMONT • HOUSTON, TEXAS • 77081  
800/522-7920 • FAX 713/772-4671 • 713/772-6641  
www.VL-PC.com



**Model P822 Electrode**

## Low Cost Disposable *Tuff Tip*® Combination Electrode

This series of low cost electrodes are designed for reliable pH measurements either in-line or in submersible applications. The simplified construction, designed with the user in mind, does not require electrolyte replenishment or any component replacement. The sensor is housed in a molded, chemically resistant CPVC body with Viton® O-Rings. Complete encapsulation eliminates process intrusion. The sensor features a *Magna-Sens*® peripheral ceramic junction along with a *Tuff Tip*® guarded tip with self cleaning features. The *Magna-Sens* double junction provides a longer life in process solutions containing ammonia, chlorine, cyanides, sulfides, or other poisoning ions.

The P822 is available with integral temperature compensation and an optional 316 stainless steel solution ground.

Installation is easily achieved through a wide variety of mounting configurations. Featured are 3/4 Inch (MNPT) front and rear facing process connections for submersion or flow through applications.

### **Features**

- Disposable Design
- Rugged *Tuff Tip*® Guarded Electrode Tip
- Double Junction Reference
- *Magna-Sens*® Reference Junction
- Self Cleaning
- CPVC Housing
- Ten Foot Low Noise Cable
- Compatible With Most Analyzers
- ORP: Platinum Band or Gold Disc

### **Specifications**

**pH Range:** GX-2: 0-12 pH; GX-3: 0-14 pH  
**Temperature Rating:** 0°C to 80°C  
**Maximum Pressure:** 100 PSIG at 60°C  
**Wetted Materials:** Glass & CPVC  
**Cable Length:** 10 feet  
**Process Connections:** 3/4 Inch MNPT

### **Options**

Stainless Steel or Kynar® Housings  
BSP or Metric Threaded Ends  
Additional Cable Lengths  
Teflon® or Wood Reference Junctions  
Integral Temperature Compensation

Kynar is a Trademark of Penwalt Corp.  
Viton is a Trademark of E.I. du Pont de Nemours & Co.  
Teflon is a Trademark of E.I. du Pont de Nemours & Co.  
Magna-Sens is a Trademark of Van London - pHoenix Co.  
Tuff Tip® is a Trademark of Van London - pHoenix Co.

**FOR ADDITIONAL PRODUCT INFORMATION,**

**CALL 713/772-6641 OR 800/522-7920**

**E-mail: [info@VL-PC.com](mailto:info@VL-PC.com)**

**[www.VL-PC.com](http://www.VL-PC.com)**

[p822.indd]